



REGENCY PRO-SERIES™ F5200

Extra Large Wood Stove



F5200 shown with pedestal base and black cast iron door and airmate.

FEATURES

- EPA 2020 certified
- Front mounted air adjustment & side mounted catalytic bypass
- Easy to read catalytic thermometer
- High performance brick-lined firebox
- Clean glass airwash system
- Rear heat deflector
- Mobile home and alcove approved
- Contemporary cast iron door with ceramic glass
- 170° opening door for easy loading
- Heavy duty 3/16 in. steel firebox
- Positive cam latching system
- 10-year 100% coverage on original catalyst

OPTIONS

- Ash pan with cover
- 2 speed blower
- Convector airmate
- Outside air kit

SPECIFICATIONS

Maximum BTU*	80,000
Typical sq. ft. heated**	1,500 - 3,000
Efficiency (EPA LHV)	86%
Max log size	22"
Burn time	Up to 30 hours
Emissions	0.9 g/h
Firebox size	4.4 cu. ft.
Flue size	8"

* Length of burn time and BTU range depend on type of wood, moisture content, climate conditions and installation.

** Varies depending on home floor plan, house layout, heat loss of the house and quality/moisture content of wood.

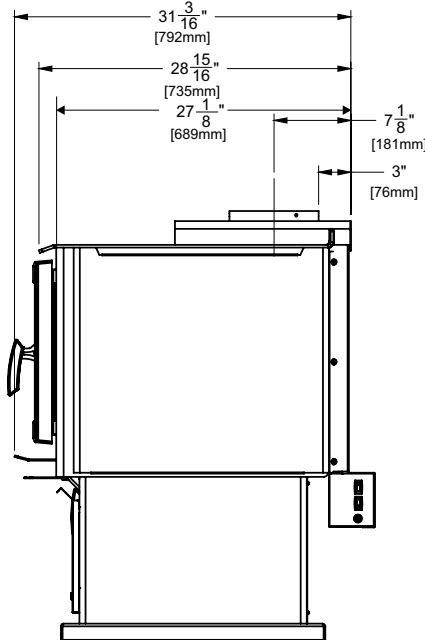


INCLUDES 10-YEAR
100% ORIGINAL
COMBUSTOR COVERAGE

regency-fire.com

F5200 Large Stove

Model	F5200
Cordwood BTU's	80,000 BTU's
Emissions (grams/hr) EPA Certified	0.9 grams/hr
Efficiency (EPA LHV)	86%
Flue Size	*8" (203mm)
* Cannot be reduced in size	

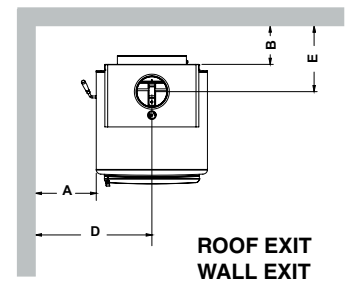
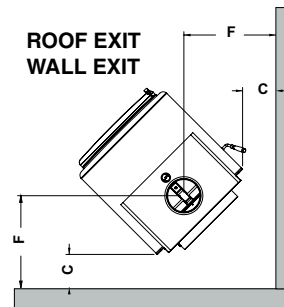
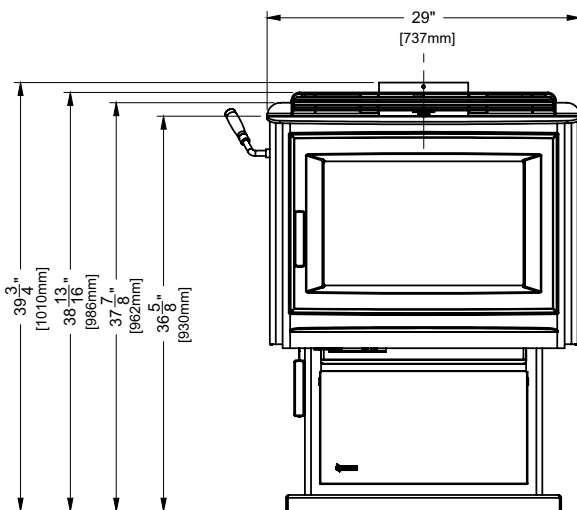


Minimum Clearance To Combustible Materials

Measurements "From Unit" are from the top plate of the stove to a side wall or to a corner, and from the rear heat shield to a back wall.

Clearances may only be reduced by means approved by the regulatory authority.

Note: Minimum ceiling height roof exit - 83" (2108 mm)



Residential Close Clearance (To be installed with required pipe components) Listed Double Wall Pipe
When the stove is installed as a close clearance residential unit, a listed double wall connector is required from the stove collar to the ceiling level.

F5100	with Airmate or Rear Deflector	A	B	C	D	E	F
		11" 279mm	10" 254mm	8" 203mm	25-1/2" 648mm	17-1/8" 435mm	22-1/2" 572mm

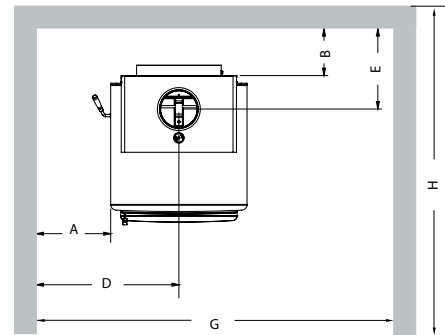
F5200 Wood Stove

Mobile Home Close Clearance (To be installed with required pipe components) Listed Double Wall Pipe When the stove is installed as a close clearance residential unit, a listed double wall connector is required from the stove collar to the ceiling level. Refer to Mobile Home Installation in the installation manual.							
F5200	with Airmate or Rear Deflector	A	B	C	D	E	F
		11" 279mm	10" 254mm	8" 203mm	25-1/2" 648mm	17-1/8" 435mm	22-1/2" 572mm

Minimum Alcove Clearance to Combustible Materials

The Regency Freestanding models have been alcove approved and must be installed with a listed double wall connector to the ceiling level.

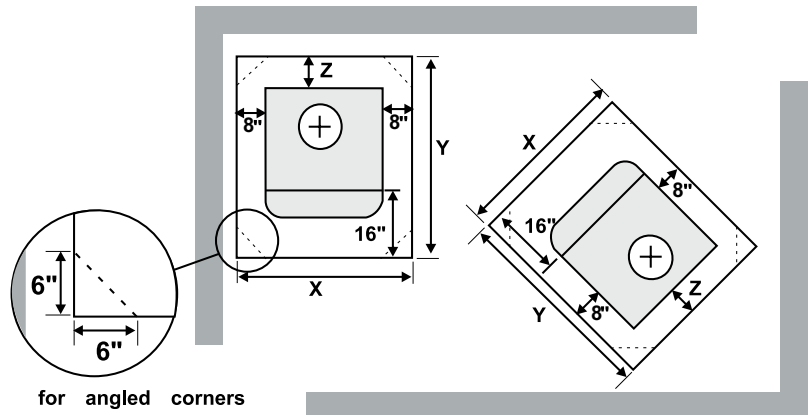
Note: Minimum alcove ceiling height - 83" (2108 mm) Vertical Termination
H = Maximum depth of alcove - 48" (1219mm)
G = Minimum width of alcove - 63" (1600mm)



FLOOR PROTECTION

A combustible floor must be protected by non-combustible material (like tile, concrete board, or certified to UL-1618 or as defined by local codes) extending beneath the heater and a minimum of 8" (203mm) from each side and minimum 16" (406mm) from the front face of the stove and minimum 6" (or the rear clearance to combustibles whichever is smaller) from the rear of the stove.

When installed with horizontal venting, non-combustible floor protection must beneath the flue pipe and extend 2" (51mm) beyond each side.



Minimum Overall Width (X) of Floor Protector for all installations:

Stove	F5200	45" (1143 mm)
-------	-------	---------------

*** US measurements shown**

NOTE: In Canada, floor protection must extend 18" (450mm) to the front and 8" (203mm) to each side and back of the stove.

Minimum Overall Depth (Y) of Floor Protector						
Unit	Residential Close Clearance		Mobile Home Close Clearance		Alcove	
	Y	Z	Y	Z	Y	Z
F5200	Y	Z	Y	Z	Y	Z
USA	49-1/8"	8"	49-1/8"	8"	49-1/8"	8"
Canada	53-1/8"	8"	53-1/8"	8"	53-1/8"	8"

The rear clearance to combustibles is less than 6" (for corner installations the rear corners may be angled to take advantage of the closer clearances).