



REGENCY PRO-SERIES™ F3500

Large Wood Stove



F3500 shown with pedestal base, contemporary cast iron door and airmate.

FEATURES

- EPA 2020 certified
- Front mounted air adjustment & side mounted catalytic bypass
- Easy to read catalytic thermometer
- High performance brick-lined firebox
- Clean glass airwash system
- Rear heat deflector
- Mobile home and alcove approved
- Contemporary cast iron door with ceramic glass
- 170° opening door for easy loading
- Heavy duty 3/16 in. steel firebox
- Positive cam latching system
- 10-year 100% coverage on original catalyst

OPTIONS

- Ash pan with cover
- 2 speed blower
- Convector airmate
- Outside air kit
- Mobile home kit (Canada only)

SPECIFICATIONS

Maximum BTU*	75,000
Typical sq. ft. heated**	1,500 - 2,500
Efficiency (EPA LHV)	87%
Max log size	20"
Burn time	Up to 24 hours
Emissions	0.9 g/h
Firebox size	3.0 cu. ft.
Flue size	6"

* Length of burn time and BTU range depend on type of wood, moisture content, climate conditions and installation.

** Varies depending on home floor plan, house layout, heat loss of the house and quality/moisture content of wood.

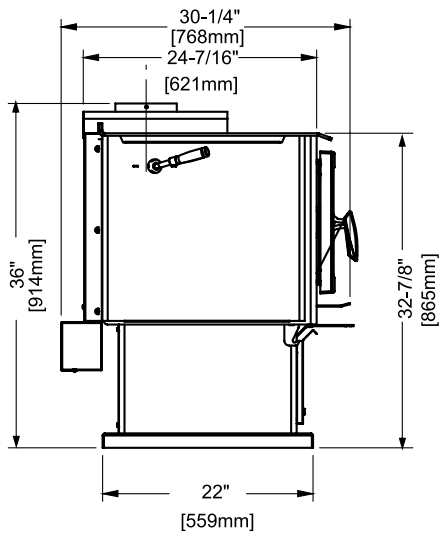
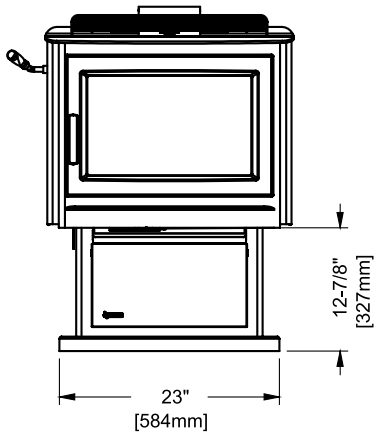
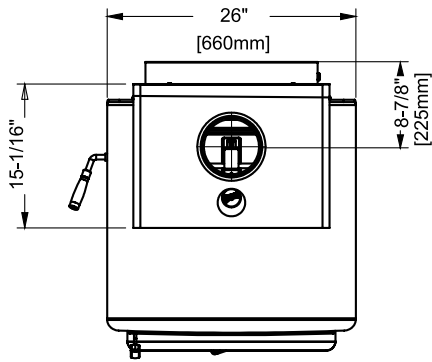


INCLUDES 10-YEAR
100% ORIGINAL
COMBUSTOR COVERAGE

regency-fire.com

F3500 Medium Stove

Model	F3500
Cordwood BTU's	75,000 BTU's
Emissions (grams/hr) EPA Certified	0.9 grams/hr
Efficiency (EPA LHV)	87%
Flue Size	6" (152mm)



F3500 Wood Stove

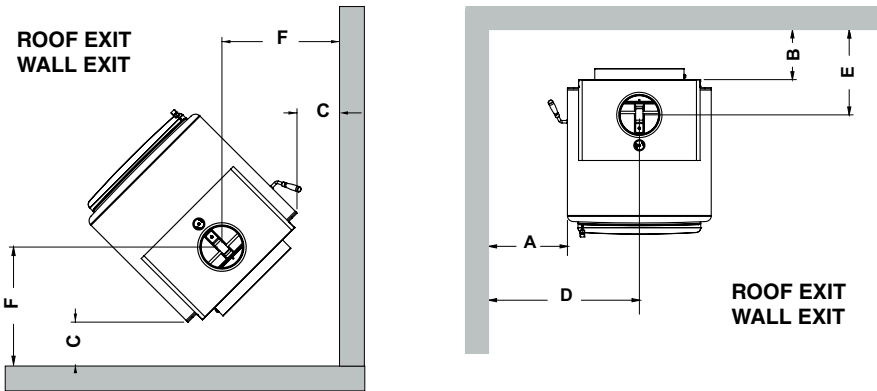
MINIMUM CLEARANCE TO COMBUSTIBLE MATERIALS

Please read the section below carefully as clearances depend on whether the Airmate or the Rear Heat Deflector is installed on the stove. Measurements "From Unit" are from the top plate of the stove to a side wall or to a corner, and from the rear heat shield to a back wall.

Clearances may only be reduced by means approved by the regulatory authority.

Note: Minimum ceiling height roof - 83" (2108 mm)

NOTE: This clearance is also required for air space between the appliance and wall/ceiling.



NOTE: Be aware that local Codes and Regulations may override some clearances listed in the installation manual. Check with your local inspector.

NOTE: Clearances to combustibles are for the safety of the property. To avoid overheating and damaging the appliance these clearances should be maintained for non-combustibles also.

Residential Installation "C" Vent (Single Wall Pipe)							
F3500	with Airmate or Rear Deflector	A	B	C	D	E	F
		11" 279mm	9-1/2" 241mm	8" 203mm	24" 610mm	16" 406mm	20-1/2" 521mm

Residential Close Clearance (To be installed with required pipe components) Listed Double Wall Pipe							
When the stove is installed as a close clearance residential unit, a listed double wall connector is required from the stove collar to the ceiling level.							
F3500	with Airmate or Rear Deflector	A	B	C	D	E	F
		11" 279mm	9-1/2" 241mm	8" 203mm	24" 610mm	16" 406mm	20-1/2" 521mm

Mobile Home Close Clearance (To be installed with required pipe components) Listed Double Wall Pipe							
When the stove is installed as a close clearance residential unit, a listed double wall connector is required from the stove collar to the ceiling level. Refer to Mobile Home Installation in the installation manual.							
F3500	with Airmate or Rear Deflector	A	B	C	D	E	F
		11" 279mm	9-1/2" 241mm	8" 203mm	24" 610mm	16" 406mm	20-1/2" 521mm

Minimum Alcove Clearance to Combustible Materials

The Regency Freestanding models have been alcove approved and must be installed with a listed double wall connector to the ceiling level.

Note: Minimum alcove ceiling height - 83" (2108 mm Vertical Termination)
H = Maximum depth of alcove - 48" (1219mm)
G = Minimum width of alcove - 60" (1524mm)

NOTE: This clearance is also required for air space between the appliance and wall/ceiling.

