



Ci2700 shown with low profile faceplate (digital catalytic monitor not shown).

### FEATURES

- EPA 2020 certified
- Front mounted air adjustment & catalytic bypass
- Digital catalytic temperature monitor
- High performance brick-lined firebox
- Clean glass airwash system
- Heavy gauge steel log retainers
- Contemporary cast iron door with ceramic glass
- 110° opening door for easy loading
- Quick access leveling bolts
- Rollers for easy installation
- 10-year 100% coverage on original catalyst

### OPTIONS

- Low profile or contemporary faceplate
- Backing plate in 2 sizes
- Concealed 2 speed blower
- Offset flue adapter for installation flexibility
- Regency stainless steel flex liner kits
- Flue connectors
- Wrap insulation kits

### SPECIFICATIONS

Maximum BTU*	78,000
Typical sq. ft. heated**	up to 2,600
Efficiency (EPA LHV)	79%
Max log size	22"
Burn time	Up to 14 hours
Emissions	1.3 g/h
Firebox size	2.6 cu. ft.
Flue size	6"

\* Length of burn time and BTU range depend on type of wood, moisture content, climate conditions and installation.

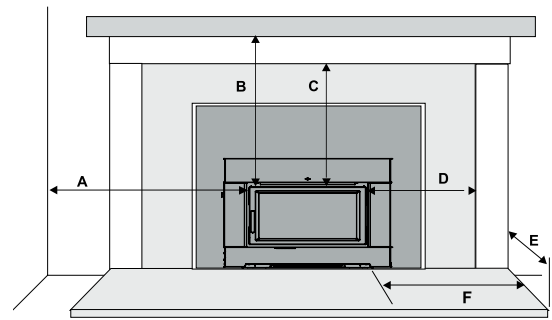
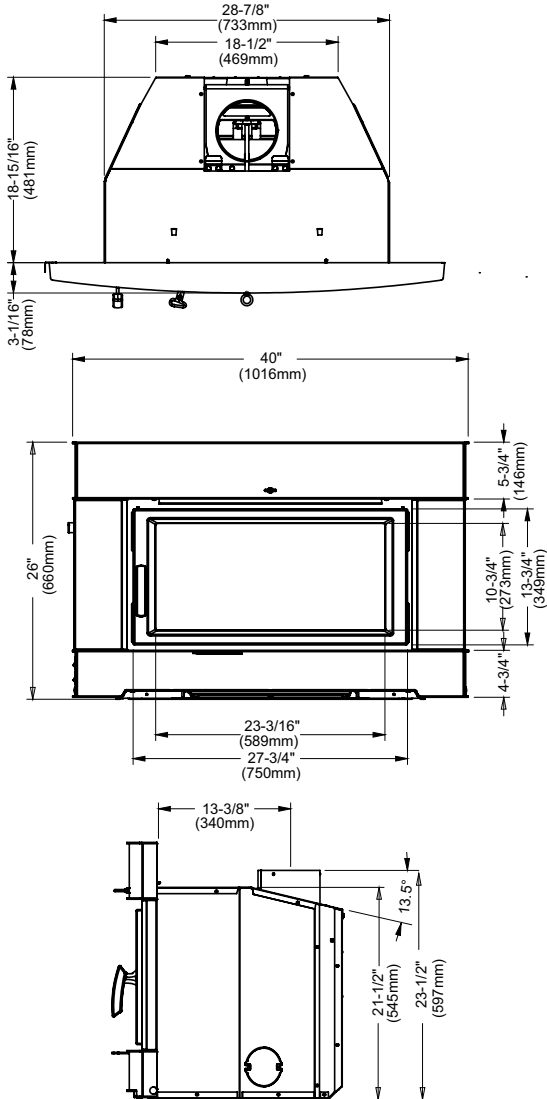
\*\* Varies depending on home floor plan, house layout, heat loss of the house and quality/moisture content of wood.



INCLUDES 10-YEAR  
100% ORIGINAL  
COMBUSTOR COVERAGE

## Ci2700/Hi500 Large Wood Insert

<b>Model</b>	<b>Ci2700/Hi500</b>
Cordwood BTU's	78,000 BTU's
Emissions (grams/hr) EPA Certified	1.3 grams/hr
Efficiency (EPA LHV)	79%
Flue Size	6" (152mm)



**Minimum Hearth Extension for the front (E) and sides (F) are measured from the fuel door opening.**

Unit	Adjacent Side Wall (to Side of Door) A	Mantle ** (to Top of Door) B	Top Facing (to Top of Door) C	Side Facing (to Side of Door) D	Minimum Hearth Extension* E	Minimum Hearth Side Extension* F	To Top of Door G
<b>Ci2700</b>	12-3/16"	21-5/8"	14"	7-3/8"	US 16" Canada 18"	8"	19-1/4"

Measurements A,B,C,D are from Top/Side of Door

Fireplace opening requires the following minimum sizes:

- Height:** 21-3/4"
- Width:** 28-13/16"
- Depth:** 19"

Four faceplates are available to seal the fireplace opening:

<b>Contemporary</b>	40" W x 26" H
<b>Low Profile</b>	40" W x 26" H
<b>Cast</b>	41-3/8"W x 26-1/2"H
<b>Oversized Cast</b>	44" W x 31" H

Side and Top facing is a maximum of 1.5" thick.

- \* Side hearth extension for Canada measured from side of appliance.
- \* Hearth to have minimum: R value of 2.13 or greater.
- \*\* A non-combustible mantel may be installed at a lower height if the framing is made of metal studs covered with a non-combustible board.
- \*\* Max. mantel depth is 10" (254mm).