

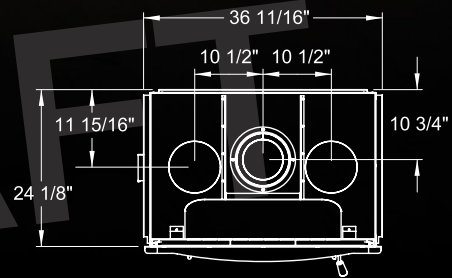
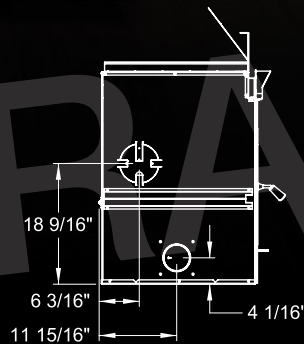
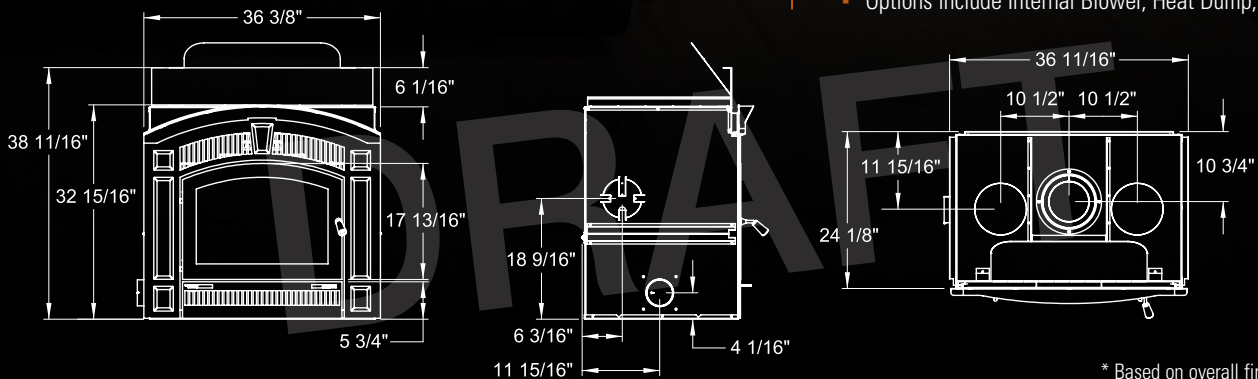
THE

# Pearl 3600



Renowned for quality construction and market leading performance, the Pearl 3600 is EPA 2020 certified at 1.49g/hr. Like all RSF fireplaces the Pearl 3600 is built to last a lifetime and is an excellent addition to any home. The Pearl is crafted with the perfect combination of refined, yet rustic styling. Capable of heating 1,500 square feet, the Pearl can be outfitted with an optional Heat Dump blower to ensure your comfort. Excess heat from the fireplace can be drawn to the basement or an adjacent room with the flick of a switch.

- EPA 2020 certified at 1.49 g/hr
- Heats up to 1500 square feet
- 6" EXCEL chimney
- Non-catalytic, fully adjustable fire
- Optimal efficiency of 79%
- 2.1\* cubic foot firebox
- Takes 18" logs at the front (16" at the back)
- Options include Internal Blower, Heat Dump, Gravity Vents



\* Based on overall firebox dimensions